



AirLink iLife Inc.

## ASP215-8.0MP — 8.0MP Outdoor PTZ IP Camera

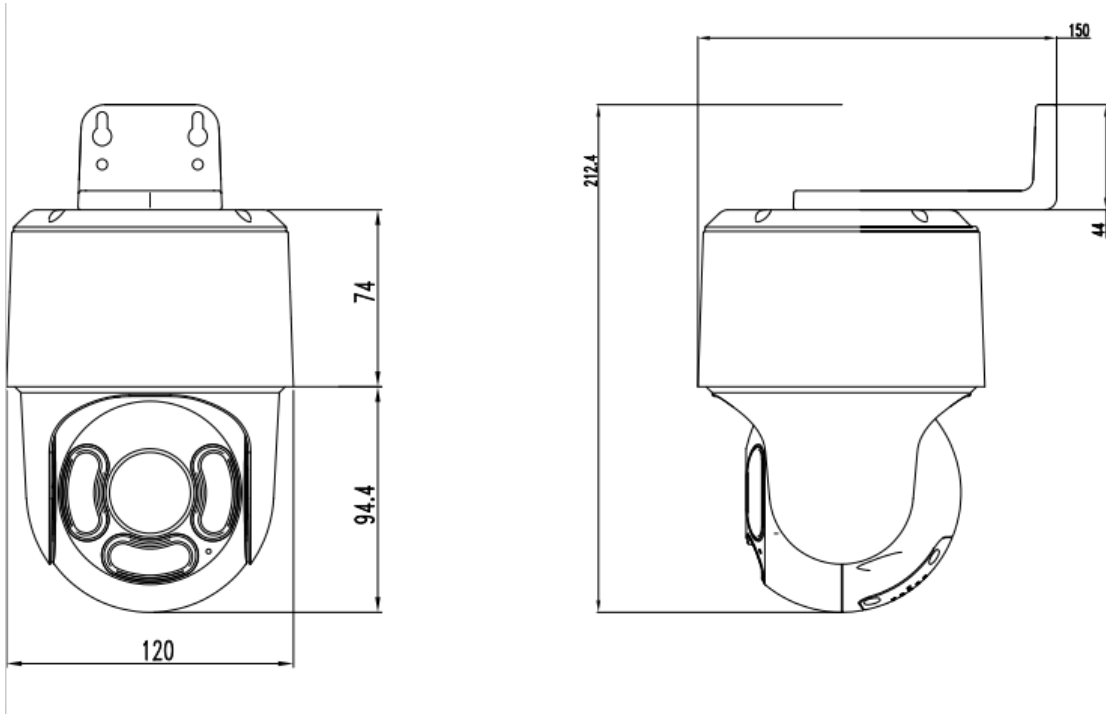


### Key Features

<ul style="list-style-type: none"><li>▶ 8.0MP Progressive Scan CMOS — 3840 x 2160 (4K) max resolution</li></ul>	<ul style="list-style-type: none"><li>▶ AirLink Cloud Management Platform — Centralized remote management for large-scale deployment</li></ul>
<ul style="list-style-type: none"><li>▶ 5X Optical Zoom, Auto Focus — 2.8–12mm focal length</li></ul>	<ul style="list-style-type: none"><li>▶ Waterproof Metal + Plastic Housing</li></ul>
<ul style="list-style-type: none"><li>▶ True Day/Night with IR Cut Filter — IR distance 35M</li></ul>	<ul style="list-style-type: none"><li>▶ FTP Event Upload &amp; HTTPS API Event Push</li></ul>
<ul style="list-style-type: none"><li>▶ 9x IR LEDs + 9x White LEDs</li></ul>	<ul style="list-style-type: none"><li>▶ Manual DNS Configuration — M2M SIM network compatible</li></ul>
<ul style="list-style-type: none"><li>▶ Red/Blue Strobe Alarm — Active deterrence with flashing red/blue warning lights triggered on human detection</li></ul>	<ul style="list-style-type: none"><li>▶ Full Web-Based Remote Access — Camera parameter setup via browser</li></ul>
<ul style="list-style-type: none"><li>▶ Audio Alarm with MP3 Playback — Configurable voice warnings &amp; siren</li></ul>	<ul style="list-style-type: none"><li>▶ H.265/H.264 Main Profile — Dual stream encoding</li></ul>
<ul style="list-style-type: none"><li>▶ IO Input / Output — External sensor integration and alarm relay output</li></ul>	<ul style="list-style-type: none"><li>▶ TF Card Slot — Up to 512GB local storage</li></ul>
<ul style="list-style-type: none"><li>▶ Human Detection Bounding Box — Visible on-screen during alarm activation</li></ul>	<ul style="list-style-type: none"><li>▶ Two-Way Audio — G.711</li></ul>
<ul style="list-style-type: none"><li>▶ AI Detection: Humanoid &amp; Vehicle Detection</li></ul>	<ul style="list-style-type: none"><li>▶ ONVIF Compatible</li></ul>
<ul style="list-style-type: none"><li>▶ 3D Intelligent Positioning — Click-to-center, drag-to-zoom</li></ul>	<ul style="list-style-type: none"><li>▶ 4G LTE (Cat-4) with 3G/2G Fallback — Band 28 compatible</li></ul>

Camera	
<b>Model</b>	ASP215-8.0MP
<b>Image Sensor</b>	8.0MP Progressive Scan CMOS, 1/2.8" CMOS
<b>Chipset</b>	MStar SSC338Q + Sony IMX415
<b>Min. Illumination</b>	Color: 0.01 Lux @ F1.6, AGC ON   B/W: 0.001 Lux @ F1.6, AGC ON
<b>Day &amp; Night</b>	Day / Night / External Control (IR Cut Filter)
<b>IR LEDs</b>	7x IR LEDs or 7x White LEDs + 1 Blue LED +1 Red LED, IR Distance 35M
<b>WDR</b>	Digital WDR ≥ 100dB
<b>S/N Ratio</b>	≥ 50dB (AGC OFF)
<b>AGC</b>	Auto / Manual
<b>White Balance</b>	Auto / Manual / ATW / Indoor / Outdoor / Daylight / Sodium Lamp
<b>Noise Reduction</b>	3D DNR
<b>Exposure Mode</b>	Auto / Manual / Shutter Mode (variable range)
<b>Shutter Speed</b>	1/2 ~ 1/20,000s
Lens & PTZ	
<b>Focal Length</b>	2.8–12mm, 5X Optical Zoom
<b>Aperture Range</b>	F1.7 ~ F3.0
<b>Angle of View</b>	113.9° (Wide) / 34.1° (Tele)
<b>Zoom Speed</b>	Approx. 3s (Wide to Tele)
<b>Pan / Tilt</b>	Horizontal 355° / Vertical 90°
<b>3D Positioning</b>	Click centering, Zoom by mouse dragging
Video & Audio	
<b>Max Resolution</b>	3840 × 2160 (4K)
<b>Frame Rate</b>	3840x2160 @ 20fps   3072x2048 @ 25fps   1920x1080 @ 30fps
<b>Video Compression</b>	H.265+ / H.265 / H.264 Main Profile
<b>Streams</b>	Dual Stream (simultaneous)
<b>Bitrate</b>	CBR / VBR — 32Kbps ~ 10Mbps variable
<b>Audio Compression</b>	G.711
<b>Two-Way Audio</b>	Yes
<b>OSD</b>	Camera name, time display — position adjustable
AI Detection & Active Deterrence	
<b>AI Detection</b>	Humanoid Detection, Vehicle Detection, Motion Detection
<b>Human Detection OSD</b>	Bounding box overlay visible on-screen during alarm activation

<b>Red/Blue Strobe Alarm</b>	Police-style red/blue flashing light board — triggered on human detection event
<b>Audio Alarm</b>	Configurable siren + MP3 voice playback
<b>Other Alarms</b>	Shadow alarm, network cable disconnect, IP address conflict
<b>Privacy Masking</b>	4 programmable privacy zones
<b>4G Connectivity &amp; Remote Access</b>	
<b>Cellular</b>	4G LTE Cat-4 with automatic 3G / 2G fallback
<b>Band 28 Support</b>	Yes (700 MHz — Airtel / Vi compatible)
<b>M2M SIM DNS</b>	Manual DNS configuration supported for M2M SIM networks
<b>Web Access</b>	Full browser-based remote management — configure all camera parameters remotely
<b>AirLink Cloud Management Platform</b>	
<b>Cloud Architecture</b>	Hybrid — event metadata to cloud, video stored on local SD card
<b>Public IP Required</b>	Yes
<b>Remote Management</b>	Centralized management for large-scale deployments (1–6,000+ cameras)
<b>Event Alerts</b>	HTTPS API push — real-time event notifications
<b>FTP Upload</b>	Event snapshots / video clips via FTP
<b>Platform Access</b>	Web dashboard — live view, event log, device configuration
<b>Compatibility</b>	AirLink cameras only — native integration, no third-party adapter required
<b>Network &amp; Protocols</b>	
<b>Protocols</b>	TCP/IP, HTTP, HTTPS, NTP, IGMP, DHCP, UDP, SMTP, RTP, RTSP, ARP, DDNS, DNS, ONVIF, RTMP
<b>API / CGI</b>	Standard API & CGI — easy third-party integration
<b>ONVIF</b>	Supported
<b>General</b>	
<b>Power Supply</b>	DC 12V 2A
<b>Storage</b>	TF Card Slot — up to 512GB
<b>Working Temperature</b>	-30°C ~ 60°C, Humidity ≤ 90% RH
<b>Enclosure</b>	Waterproof Metal + Plastic
<b>Package Size</b>	23 × 21 × 14 cm



AirLink iLife Inc. | [airlink-ilife.com](http://airlink-ilife.com) | Specifications subject to change without notice.